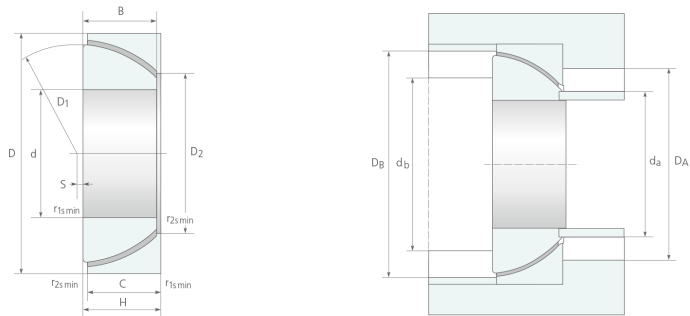


SCHRÄG-GELENKLAGER DIN ISO 12240-2

Gleitpaarung: Hartchrom/PTFE >> wartungsfrei GE ... SW



	d	D	B	C	H	D 1	D 2	S	r1s min	r2s min	da max	d b max	DA max	DB min	C	C0	m
	[mm]	[mm]	[mm]	[mm]	[mm]	[mm]	[mm]	[mm]	[mm]	[mm]	[mm]	[mm]	[mm]	[mm]	[kN]	[kN]	[kg]
GE 25 SW	25	47	14	14,0	15	42,5	31,4	1,0	0,6	0,2	30,1	39,5	34,0	43,0	71	140	0,148
GE 28 SW	28	52	15	15,0	16	47,0	35,7	1,0	1,0	0,3	34,4	42,0	40,0	47,5	90	180	0,186
GE 30 SW	30	55	16	16,0	17	50,0	36,1	2,0	1,0	0,3	34,6	45,0	40,5	50,5	95	190	0,208
GE 32 SW	32	58	17	16,0	17	52,0	37,5	2,0	1,0	0,3	37,9	47,5	44,0	54,0	102	204	0,241
GE 35 SW	35	62	17	17,0	18	56,0	42,4	2,0	1,0	0,3	41,1	50,0	47,0	57,0	116	232	0,268
GE 40 SW	40	68	18	18,0	19	60,0	46,8	1,5	1,0	0,3	45,5	54,0	52,0	61,0	134	270	0,327
GE 45 SW	45	75	19	19,0	20	66,0	52,9	1,5	1,0	0,3	51,7	60,0	58,0	67,0	160	320	0,416
GE 50 SW	50	80	19	19,0	20	74,0	59,1	4,0	1,0	0,3	57,9	67,0	65,0	75,0	176	355	0,455
GE 55 SW	55	90	22	22,0	23	80,0	62,0	4,0	1,5	0,6	60,7	71,0	70,0	81,0	220	440	0,645
GE 60 SW	60	95	22	22,0	23	86,0	68,1	5,0	1,5	0,6	66,9	77,0	76,0	87,0	240	480	0,714
GE 65 SW	65	100	22	22,0	23	92,0	75,6	5,0	1,5	0,6	74,4	83,0	84,0	93,0	260	520	0,759
GE 70 SW	70	110	24	24,0	25	102,0	82,2	7,0	1,5	0,6	80,9	92,0	90,0	104,0	315	630	1,040
GE 75 SW	75	115	25	25,0	25	107,0	84,4	7,9	1,5	0,6	84,7	95,0	94,0	107,0	345	670	1,120
GE 80 SW	80	125	27	27,0	29	115,0	90,5	10,0	1,5	0,6	88,0	104,0	99,0	117,0	375	750	1,540
GE 85 SW	85	130	29	26,5	29	122,0	94,8	9,4	1,5	0,6	94,4	109,0	105,0	122,0	425	810	1,610
GE 90 SW	90	140	30	30,0	32	130,0	103,3	11,0	2,0	0,6	100,8	118,0	112,0	132,0	480	965	2,090
GE 95 SW	95	145	32	29,5	32	135,0	104,4	10,8	2,0	0,6	105,4	119,0	117,0	132,0	500	1000	2,220
GE 100 SW	100	150	30	30,0	32	140,0	114,3	12,0	2,0	0,6	112,0	128,0	123,0	142,0	520	1040	2,340
GE 105 SW	105	160	35	36,0	35	148,0	113,8	12,3	2,0	0,6	116,8	137,0	129,0	152,0	565	1250	2,930

GE 110 SW	110	170	36	36,0	38	160,0	125,8	15,0	2,5	0,6	123,2	146,0	135,0	162,0	710	1430	3,680
GE 120 SW	120	180	36	42,0	38	170,0	135,4	17,0	2,5	0,6	132,9	155,0	145,0	172,0	765	1530	3,970
GE 130 SW	130	200	42	42,0	45	190,0	148,0	20,0	2,5	0,6	143,9	174,0	158,0	192,0	965	1930	5,920
GE 140 SW	140	210	42	42,0	45	200,0	160,6	20,0	2,5	0,6	156,9	184,0	171,0	202,0	1020	2040	6,330
GE 150 SW	150	225	45	45,0	48	213,0	170,9	21,0	3,0	1,0	167,1	194,0	184,0	216,0	1180	2360	8,010
GE 160 SW	160	240	48	48,0	51	225,0	181,4	21,0	3,0	1,0	177,7	206,0	195,0	228,0	1340	2700	9,420
GE 170 SW	170	260	54	54,0	57	250,0	194,3	27,0	3,0	1,0	190,4	228,0	208,0	253,0	1660	3350	12,300
GE 180 SW	180	280	61	61,0	64	260,0	205,5	21,0	3,0	1,0	201,7	240,0	220,0	263,0	2000	4000	17,400
GE 190 SW	190	290	61	61,0	64	275,0	211,8	29,0	3,0	1,0	207,9	252,0	226,0	278,0	2080	4150	18,200
GE 200 SW	200	310	66	66,0	70	290,0	229,2	26,0	3,0	1,0	224,1	268,0	244,0	293,0	2360	4750	22,500